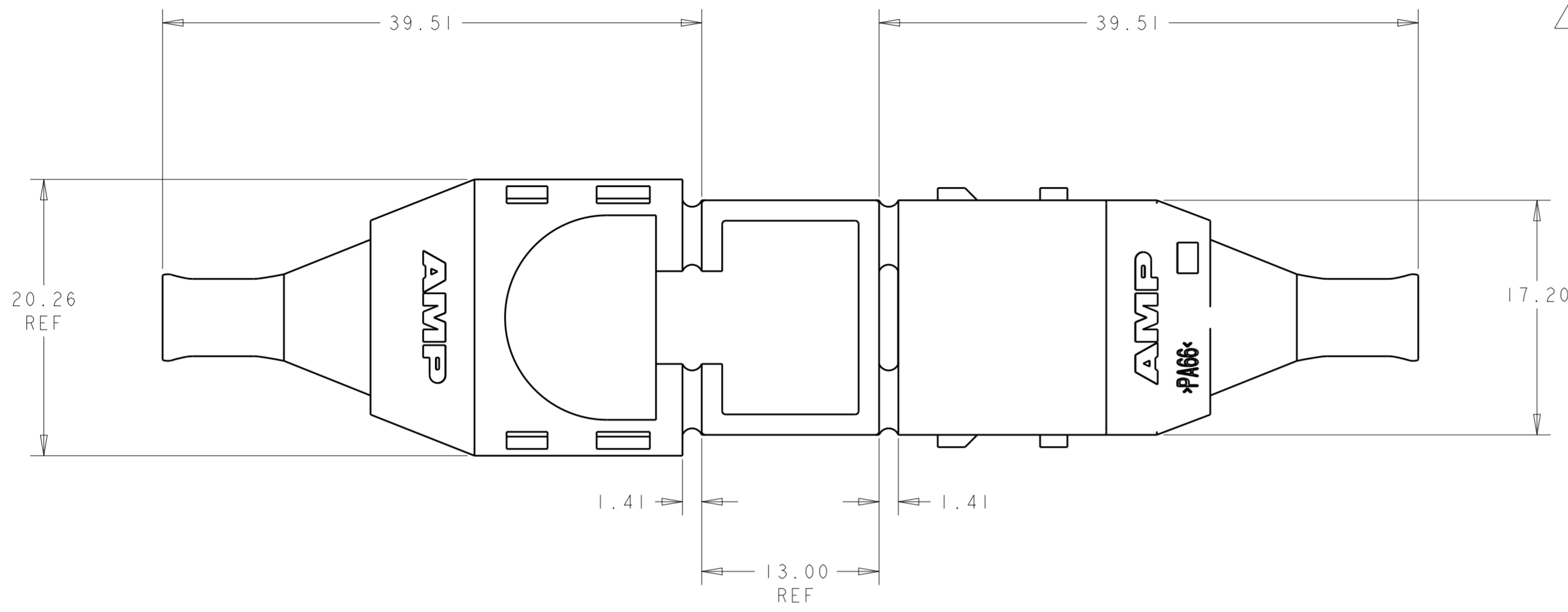
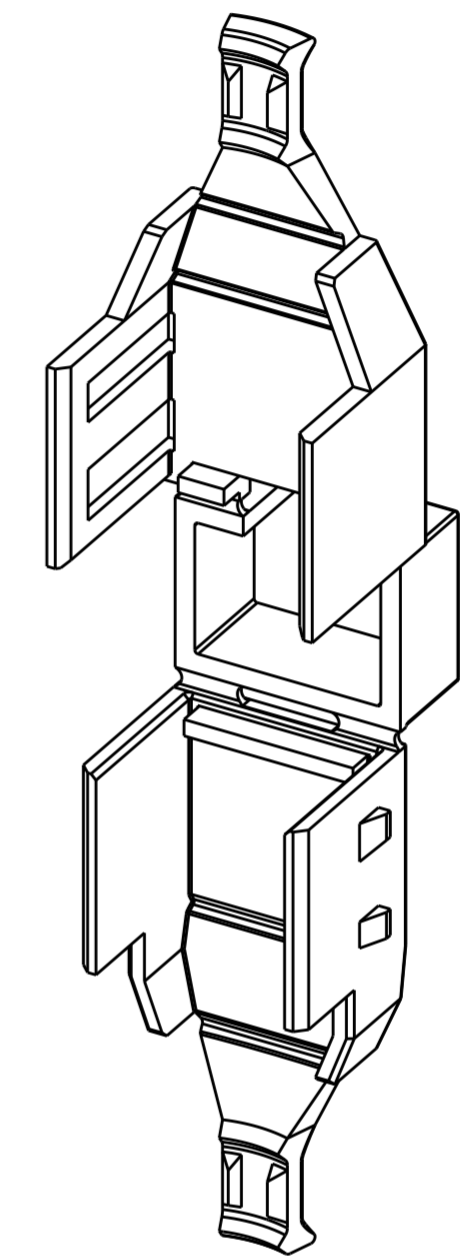


THIS DRAWING IS UNPUBLISHED. RELEASED FOR PUBLICATION
 © COPYRIGHT copyright.d8te- ALL RIGHTS RESERVED.

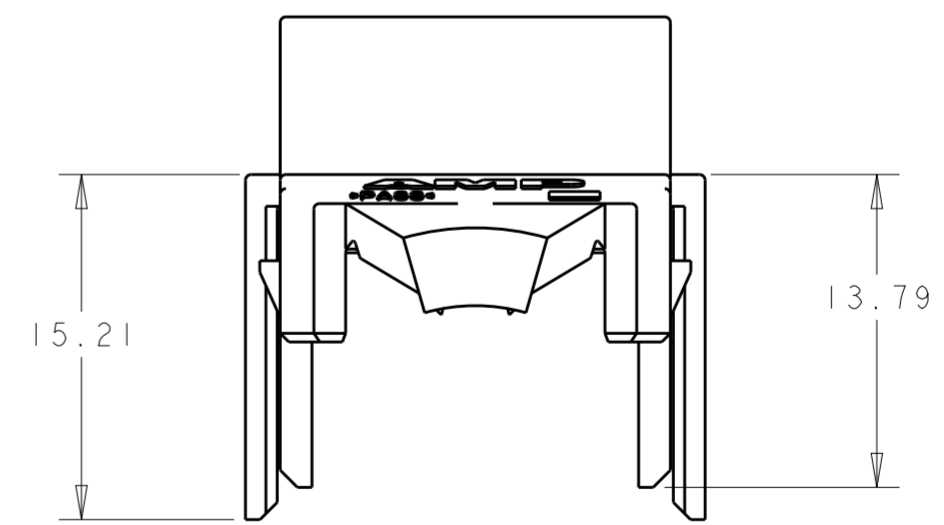
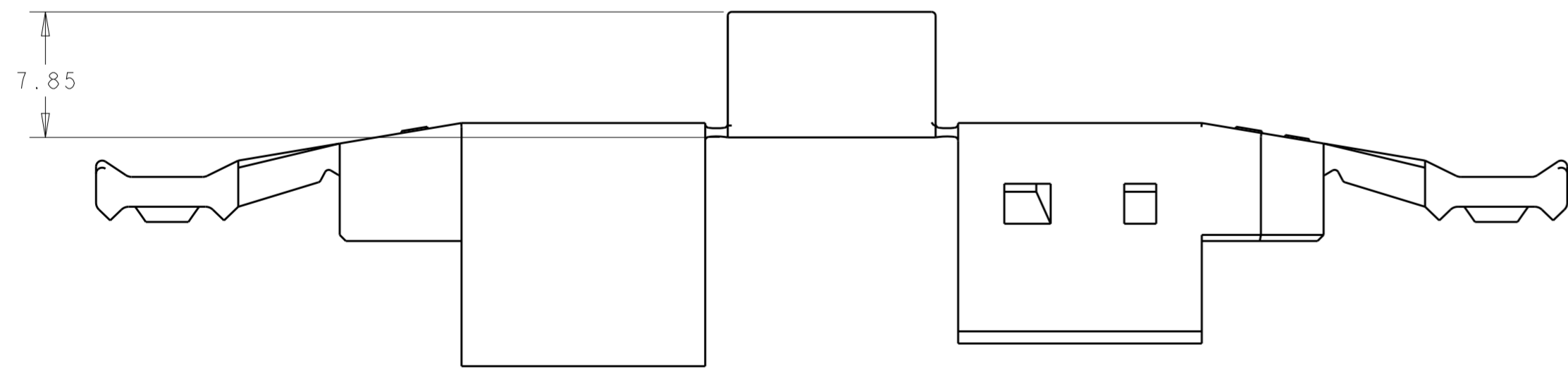
| REVISIONS | | | | | |
|-----------|-----|---------------------------|-----------|-----|------|
| P | LTR | DESCRIPTION | DATE | DWN | APVD |
| B | | REVISED PER ECR-17-008954 | 17APR2018 | BW | HW |
| C | | REVISED PER ECR-19-007313 | 19MAY2019 | L.C | D.Z |
| | | | | | |



△ NYLON, UL94V-2, COLOR; NATURAL.



SCALE 2:1



1375618-1
PART NUMBER

| | | | | |
|--|--|-----------------------------------|--|--|
| THIS DRAWING IS A CONTROLLED DOCUMENT. | | DWN K. KOEGEL 15FEB100 | TE Connectivity | |
| DIMENSIONS: mm | | CHK W. DAVIS 15FEB100 | | |
| TOLERANCES UNLESS OTHERWISE SPECIFIED: | | APVD S. RIDGILL 22-MAY-2000 | NAME DUAC STRAIN RELIEF, 6 POSITION | |
| 0 PLC ± | | PRODUCT SPEC | - | |
| 1 PLC ± | | APPLICATION SPEC | - | |
| 2 PLC ±0.13 | | WEIGHT | - | |
| 3 PLC ± | | CUSTOMER DRAWING | - | |
| 4 PLC ± | | SCALE 3:1 | SHEET 1 OF 1 | |
| ANGLES ± | | RESTRICTED TO | - | |
| FINISH - | | SIZE | A200779 | |
| MATERIAL △ | | DRAWING NO | C-1375618 | |
| | | REV | C | |